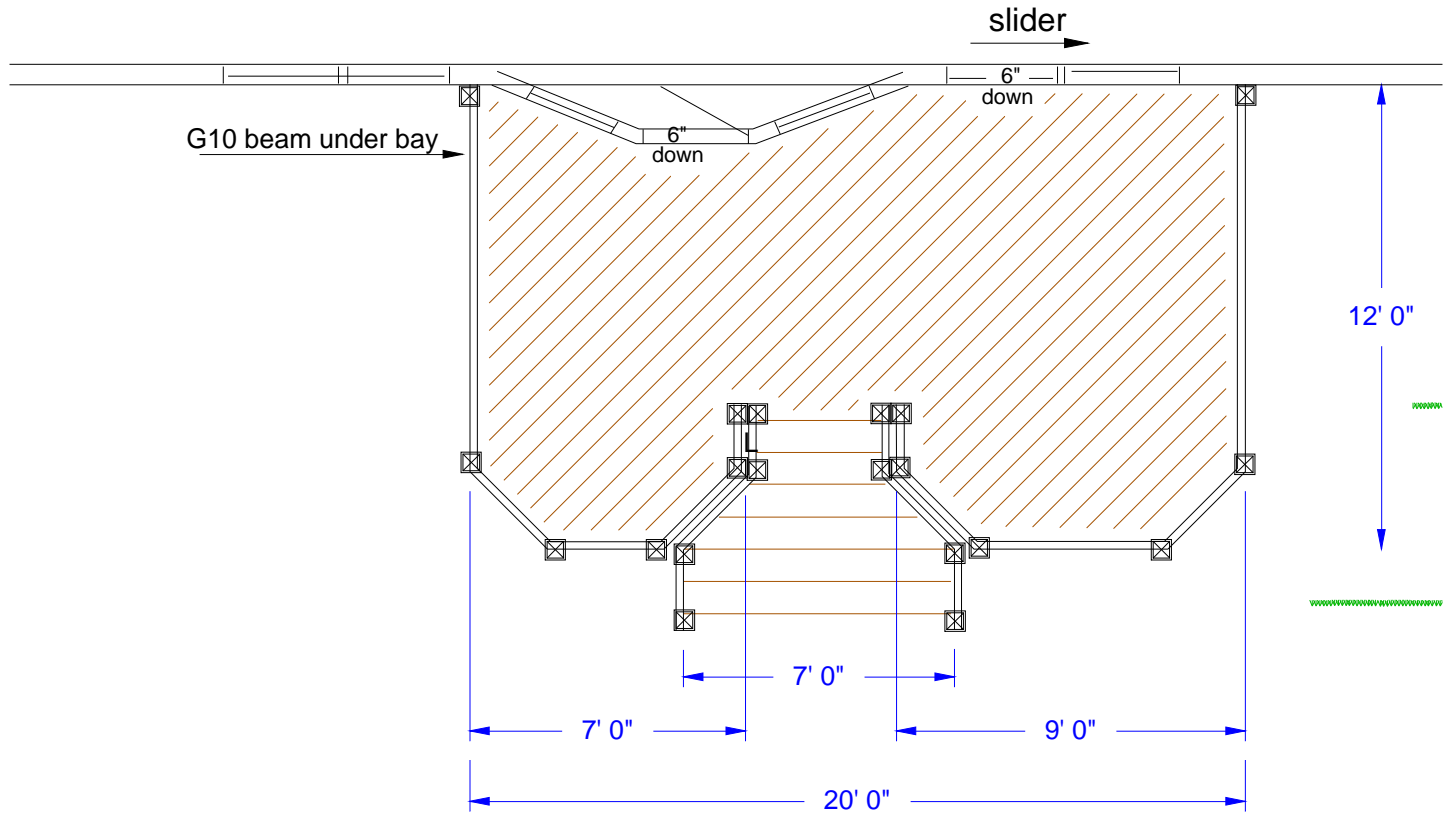


NOTES:

- ~ Locations of windows and doors are approximate.
- ~ All dimensions shown are approximate.
- ~ Builder is General Contractor, buying materials and obtaining a Permit.
- ~ Builder provides complete labor to build.
- ~ Install tongue & groove GeoDeck flooring (mahogany color). No nails show.

- ~ Install S4S (5/4x6) GeoDeck on stair treads (nails show).
- ~ Install 12" GeoDeck fascia trim around perimeter (hides ends of decking), down exterior of stair carriages, and Royal Wood vinyl over P.T. 2x8 stair risers. Nails show.
- ~ Install white Fairway Vinyl Railing as shown below.
- ~ No vinyl sleeves over 6x6 supports below.
- ~ White PVC lattice skirting, framed and trimmed. 14 panels



White 5/8" x 8" Royal Wood 2S vinyl fascia covers 2x8 PT stair risers.

